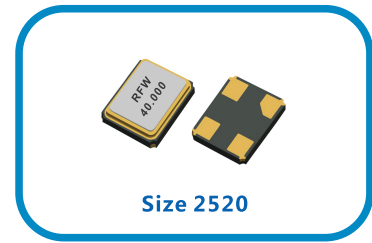


Feature

- Ultra compact and thin. (2.5×2.0×0.55mm typ.)
- Tight Tolerance 5 ppm available.
- Application : Bluetooth ; Mobile phone ; W-LAN ; Office Automation ; Audio & Vedio.
- Meets the requirements for re-flow profiling using lead-free solder.



Size 2520

Specifications

RoHS Compliant

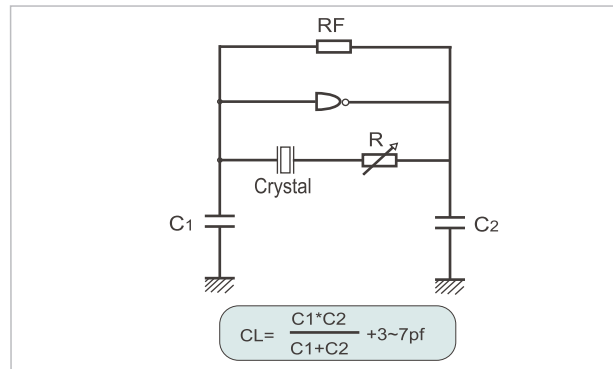
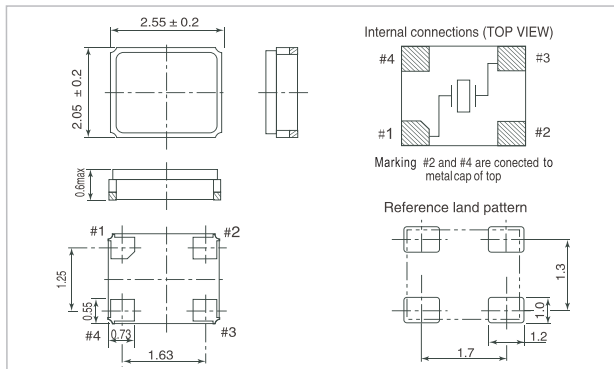


REACH Compliant

Item	Model	RFW2 Series	
Frequency Range		12 to 54MHz	
Oscillator Mode		Fundamental	
Frequency Tolerance (25± 3°C)		± 5PPM~ ± 50PPM	
Temperature Characteristics (with reference to +25°C)		±5PPM~ ±100PPM	
Operating Temperature Range		-20 to 70°C (standard),see below*order information"	
Load Capacitance		6pF~32pF,Series	
Storage Temperature Range		-55 ~ +125°C	
Drive Level		10μW(max. 100μW)	
Equivalent Series Resistance		Frequency Range (MHz)	Equivalent Series Resistance max. [Ω]
		12 to 24	150
		24 to 30	100
		30 to 54	60

The above specifications are standard for this RFW products. Custom-made Spec. such as CL and Temp. Stability are also available. Please contact us with your enquiries.

Outline Drawing



Ordering Information

Part Number Guide

RFW XTAL	2 Package Size (mm)	10 Load Capacitance (pF)	B Freq. Tol. @25°C (ppm)	B Frequency Stability (ppm)	C Temp. Range (°C)	1 Oscillator Mode	- Dash	Freq. (Mhz)
	2.5*2.0*0.55 L=2.5 W=2.0 H=0.6	XX=xxpF	A: ±5 B: ±10 P: ±15 C: ±20 D: ±25 E: ±30 G: ±50	A: ±5 B: ±10 P: ±15 C: ±20 D: ±25 E: ±30 G: ±50 H: ±100	A: 0~+50°C I: -10~+60°C F: -10~+70°C C: -20~+70°C R: -20~+75°C S: -20~+85°C M: -25~+70°C N: -30~+70°C T: -30~+85°C V: -30~+105°C L: -40~+85°C X: -40~+105°C Y: -40~+125°C	1:AT Fundamental		XX.XXXXXX

Frequency Stability Vs. Temperature Range

Temp.(°C)	Ppm	±5	±10	±15	±20	±30	±50
-10 ~ +60		△	○	○	○	○	○
-20 ~ +70		X	△	○	○	○	○
-40 ~ +85		X	X	△	○	○	○
-40 ~ +105		△	X	X	△	○	○
-40 ~ +125		X	X	X	X	△	○

○: Available △: Conditional X: Not available

Example RFW210BBC1-30.000000MHz
Crystal unit, RoHS Compliant, 2.5*2.0mm, CL=10pF; Freq. Tolerance: +/-10ppm;
Freq. Stability: +/-10ppm; Operating Temp. Range: -20~70°C; AT Fundamental;
Freq. 30.000000MHz.
**Not all combinations of options are available.