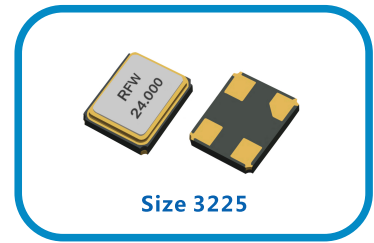


Feature

- Ultra compact and thin. (3.2×2.5×0.6mm typ.)
- Tight Tolerance 5 ppm available.
- Application : Bluetooth ; Mobile phone ; W-LAN ; Office Automation ; Audio & Visual.
- Meets the requirements for re-flow profiling using lead-free solder.



Size 3225

Specifications

RoHS Compliant

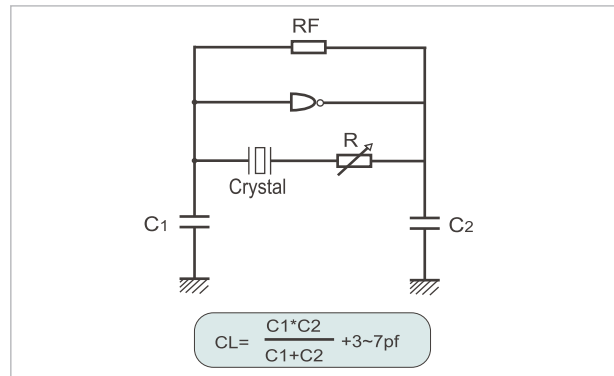
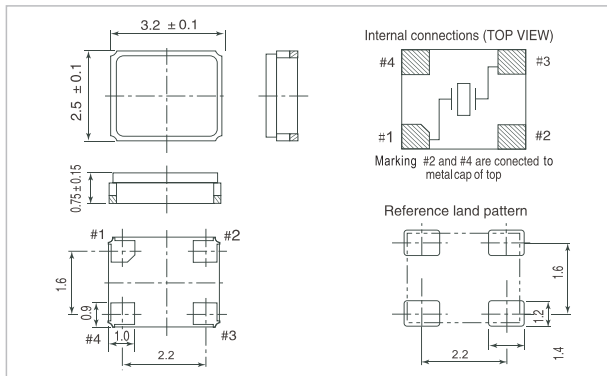


REACH Compliant

Item	Model	RFW3 Series	
Frequency Range		8 to 54MHz	
Oscillator Mode		Fundamental	
Frequency Tolerance (25± 3°C)		±5PPM~±50PPM	
Temperature Characteristics (with reference to +25°C)		±5PPM~±100PPM	
Operating Temperature Range		-20 to 70°C (standard),see below*order information"	
Load Capacitance		6pF~32pF, Series	
Storage Temperature Range		-55 ~ +125°C	
Drive Level		10µW(max. 100µW)	
Equivalent Series Resistance	Frequency Range (MHz)	Equivalent Series Resistance max. [Ω]	
	8 to 11.0592	250	
	12 to 13	100	
	13 to 19.5	80	
	19.5 to 27	60	
27 to 54	50		

The above specifications are standard for this RFW products. Custom-made Spec. such as CL and Temp. Stability are also available. Please contact us with your enquiries.

Outline Drawing



Ordering Information

Part Number Guide

RFW X'TAL	3 Package Size (mm)	10 Load Capacitance (pF)	B Freq. Tol. @25°C (ppm)	B Frequency Stability (ppm)	C Temp. Range (°C)	1 Oscillator Mode	- Dash	Freq. (Mhz)
	3.0*2.5*0.6 L=3.2 W=2.5 H=0.6	XX=xpF	A:±5 B:±10 P:±15 C:±20 D:±25 E:±30 G:±50	A:±5 B:±10 P:±15 C:±20 D:±25 E:±30 G:±50 H:±100	A:0~+50°C I:-10~+60°C F:-10~+70°C C:-20~+70°C R:-20~+75°C S:-20~+85°C M:-25~+70°C N:-30~+70°C T:-30~+85°C V:-30~+105°C L:-40~+85°C X:-40~+105°C Y:-40~+125°C	1:AT Fundamental 3:3rd Overtone		XX.XXXXXX

Frequency Stability Vs. Temperature Range

Temp.(°C)	Ppm	±5	±10	±15	±20	±30	±50
-10 ~ +60		△	○	○	○	○	○
-20 ~ +70		X	△	○	○	○	○
-40 ~ +85		X	X	△	○	○	○
-40 ~ +105		△	X	X	△	○	○
-40 ~ +125		X	X	X	X	△	○

○: Available △: Conditional X: Not available

Example RFW310BBC1-26.000000MHz
 Crystal unit, RoHS Compliant, 3.2*2.5mm; CL=10pF; Freq. Tolerance: +/-10ppm;
 Freq. Stability: +/-10ppm; Operating Temp. Range: -20~70°C; AT Fundamental;
 Freq. 26.000000MHz.
 **Not all combinations of options are available.