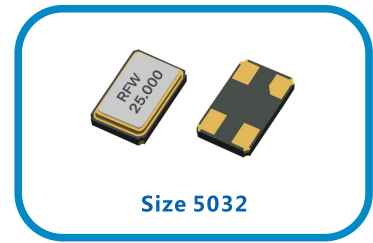


Feature

- Ultra thin ceramic package. (5.0×3.2×0.9mm typ.)
- Tight Tolerance 5 ppm available.
- Application: Bluetooth , GPS ; Display, TV (FPD/FTF LCD) ; Computer Peripheral.
- Meets the requirements for re-flow profiling using lead-free solder.



Size 5032

Specifications

RoHS Compliant

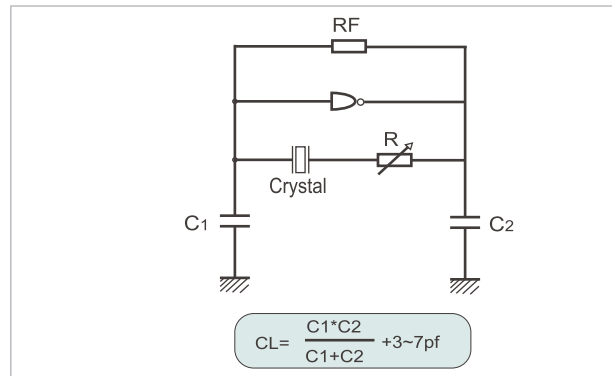
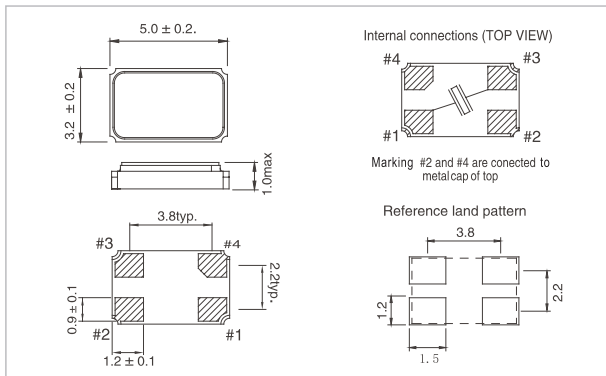


REACH Compliant

Item	Model	RFW5 Series			
Frequency Range		8 to 80MHz			
Oscillator Mode		Fundamental			
Frequency Tolerance (25±3°C)		±5PPM~±50PPM			
Temperature Characteristics (with reference to +25°C)		±5PPM~±100PPM			
Operating Temperature Range		-20 to 70°C (standard), see below* order information*			
Load Capacitance		6pF~32pF, Series			
Storage Temperature Range		-55 ~ +125°C			
Drive Level		10µW(max. 100µW)			
Equivalent Series Resistance	Frequency Range (MHz)	Equivalent Series Resistance max. [Ω]	Frequency Range (MHz)	Equivalent Series Resistance max. [Ω]	
	8 to 10	100	16 to 24	50	
	10 to 12	65	24 to 48	40	
	12 to 13	60	48 to 53.125	45	
	13 to 16	55	80	60	

The above specifications are standard for this RFW products. Custom-made Spec. such as CL and Temp. Stability are also available. Please contact us with your enquiries.

Outline Drawing



Ordering Information

								Part Number Guide	
RFW XTAL	5 Package Size (mm)	10 Load Capacitance (pF)	B Freq. Tol. @25°C (ppm)	B Frequency Stability (ppm)	C Temp. Range (°C)	1 Oscillator Mode	- Dash	Freq. (Mhz)	
	5.0*3.2*1.0 L = 5.0 W = 3.2 H = 1.0	XX=xxpF	A:±5 B:±10 P:±15 C:±20 D:±25 E:±30 G:±50	A:±5 B:±10 P:±15 C:±20 D:±25 E:±30 G:±50 H:±100	A: 0~+50°C I: -10~+60°C F: -10~+70°C C: -20~+70°C R: -20~+75°C S: -20~+85°C M: -25~+70°C N: -30~+70°C T: -30~+85°C V: -30~+105°C L: -40~+85°C X: -40~+105°C Y: -40~+125°C	1:AT Fundamental		XX.XXXXXX	

Frequency Stability Vs. Temperature Range

Temp.(°C)	Ppm	±5	±10	±15	±20	±30	±50
-10 ~ +60	△	○	○	○	○	○	○
-20 ~ +70	X	△	○	○	○	○	○
-40 ~ +85	X	X	△	○	○	○	○
-40 ~ +105	△	X	X	△	○	○	○
-40 ~ +125	X	X	X	X	△	○	○

○: Available △: Conditional X: Not available

Example RFW510BBC1-25.000000MHz
 Crystal unit, RoHS Compliant, 5.0*3.2mm; CL=10pF; Freq. Tolerance: +/-10ppm;
 Freq. Stability: +/-10ppm; Operating Temp. Range: -20~70°C; Spurious: AT
 Fundamental; Freq. 25.000000MHz.
 **Not all combinations of options are available.