

# Clock Crystal SMD 8038

## Feature

- 32.768KHz
- D7:H=1.4mm Max.
- D6S:H=2.54mm Max
- Application: Small Communication Devices



## Specifications

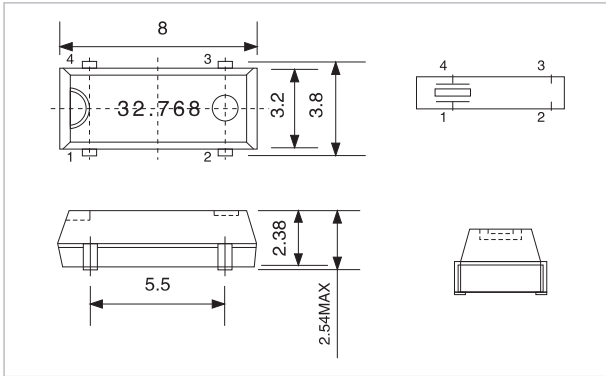
RoHS Compliant

REACH Compliant

Item	Model	RFW D6S Series
Frequency Range		32.768KHz
Oscillator Mode		Tuning Fork
Frequency Tolerance (25± 3°C )		±10PPM, ±20PPM
Temperature Characteristics (with reference to +25°C)		±20PPM~±150PPM
Operating Temperature Range		-40 to 85°C
Load Capacitance		6pF,7pF,9pF,12.5pF
Storage Temperature Range		-55 ~ +125°C
Drive Level		0.5 μW max.
Turnover Temperature		25°C± 5°C
Temperature Coefficient		-0.04ppm/°C <sup>2</sup>
Series Resistance		80KΩ Max
Shunt Capacitance		1.15pF Typical

The above specifications are standard for this RFW products. Custom-made Spec. such as CL and Temp. Stability are also available. Please contact us with your enquiries.

## Outline Drawing RFWD6S



## Ordering Information

Part Number Guide

<b>RFW</b> X'TAL	<b>D6S</b> Package Size (mm)	<b>12.5</b> Load Capacitance (pF)	<b>C</b> Freq. Tol. @25°C (ppm)	<b>H</b> Frequency Stability (ppm)	<b>C</b> Temp. Range (°C)	<b>I</b> Oscillator Mode	- Dash	<b>Freq.</b> (Mhz)
	D7:7.0*1.5 D6S:8.0*3.8	XX=xxpF	B: ± 10 C: ± 20 E: ± 30	C: ± 20 E: ± 30 G: ± 50 H: ± 100 K: ± 150	C: -20~+70°C L: -40~+85°C	T: Tuning Fork		0.032768

## Frequency Stability Vs. Temperature Range

Temp.(°C)	Ppm	±100	Over±150
-20 ~ +70		○	○
-40 ~ +85		○	○

○: Available    △: Conditional    X: Not available

Example RFWD6S12.5CHLT-0.032768MHz  
Crystal unit, RoHS Compliant, 8.0\*3.8mm; CL=12.5pF; Freq. Tolerance: +/- 20ppm;  
Freq. Stability: +/- 100ppm; Operating Temp. Range: -40~+85°C; Tuning Fork;  
Freq. 0.032768 MHz.

\*\*Not all combinations of options are available.