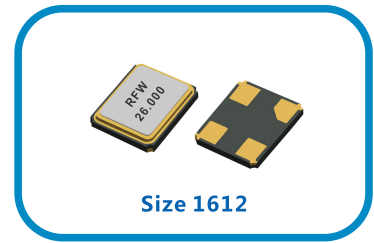


Feature

- Ultra thin ceramic package.(1.65×1.25×0.3mm typ.)
- Tight Tolerance 10ppm available.
- Application:Bluetooth,Mobile phone,Wireless LAN,Office Automation,Audio & Video
- Meets the requirements for re-flow profiling using lead-free solder.



Size 1612

Specifications

RoHS Compliant

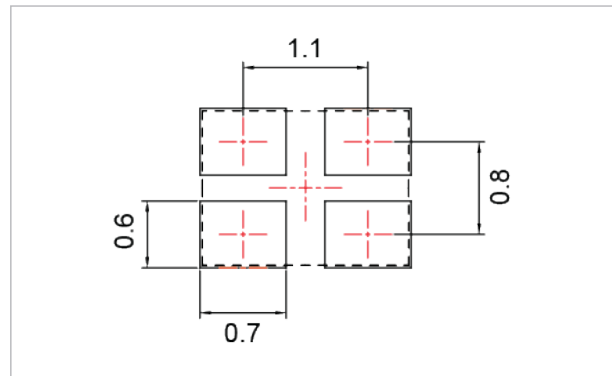
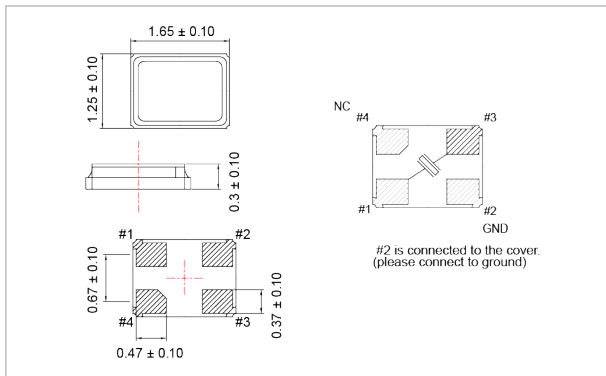


REACH Compliant

Item	Model	RFWY Series	
Frequency Range		24 to 54MHz(typical:26MHZ,40MHZ)	
Oscillator Mode		Fundamental	
Frequency Tolerance (25± 3°C)		±5PPM~±50PPM	
Temperature Characteristics (with reference to +25°C)		±5PPM~±100PPM	
Operating Temperature Range		-20 to 70°C (standard),see below"order information"	
Load Capacitance		6pF~32pF,Series	
Storage Temperature Range		-40 ~ +125°C	
Drive Level		10µW(max. 200µW)	
Equivalent Series Resistance		Frequency Range (MHz)	Equivalent Series Resistance max. [Ω]
		24 to 40	<150
		40 to 54	<100

The above specifications are standard for this RFW products.Custom-made Spec. such as CL and Temp. Stability are also available. Please contact us with your enquiries.

Outline Drawing



Ordering Information

Part Number Guide

RFW XTAL	Y Package Size (mm)	10 Load Capacitance (pF)	B Freq. Tol. @25°C (ppm)	B Frequency Stability (ppm)	C Temp. Range (°C)	1 Oscillator Mode	- Dash	Freq. (Mhz)
	1.65*1.25*0.3 L =1.65 W=1.25 H =0.3	XX=xxpF	A:±5 B:±10 P:±15 C:±20 D:±25 E:±30 G:±50	A:±5 B:±10 P:±15 C:±20 D:±25 E:±30 G:±50 H:±100	A:0~+50°C I:-10~+60°C F:-10~+70°C C:-20~+70°C R:-20~+75°C S:-20~+85°C M:-25~+70°C N:-30~+70°C T:-30~+85°C V:-30~+105°C L:-40~+85°C X:-40~+105°C Y:-40~+125°C	1:AT Fundamental		XX.XXXXXX

Frequency Stability Vs. Temperature Range

Temp.(°C)	Ppm	±5	±10	±15	±30	±50
-10 ~ +60		△	○	○	○	○
-20 ~ +70		X	△	○	○	○
-40 ~ +85		X	X	△	○	○
-40 ~ +105		X	X	X	△	○
-40 ~ +125		X	X	X	X	△

○: Available △: Conditional X: Not available

Example RFWY10BBC1-40.000000MHz
Crystal unit,RoHS Compliant,1.6*1.2mm;CL=10pF;Freq. Tolerance:+/-10ppm;
Freq. Stability:+/-10ppm;Operating Temp. Range:-20~70°C;Spurious:AT
Fundamental;Freq. 40.000000MHz.
**Not all combinations of options are available.

Quartz Crystal